

Spirit™

Outside Wall-Mount Vehicle Dryer



Standard Features

- Attaches to wall above exit door
- 10 H.P. or 15 H.P. motors with SUPERfans™
- One-piece rotomolded polymer fan housings with oval nozzles
- Nozzles fully adjustable
- Heavy aluminum construction

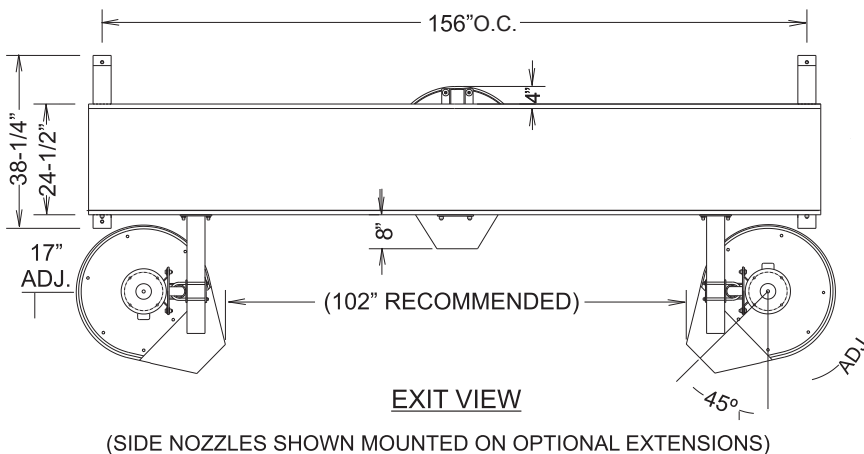
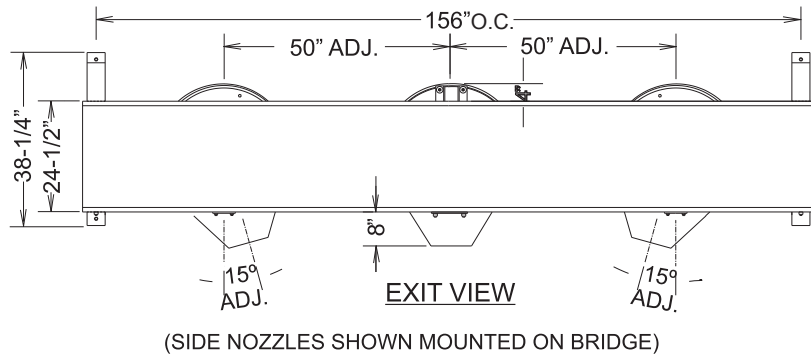
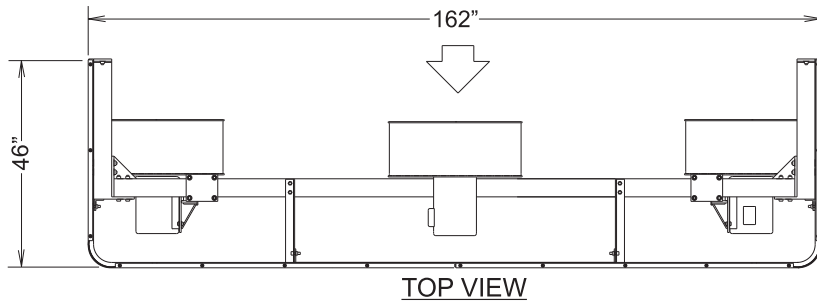
Optional Features

- Oscillating center nozzle
- Drop tubes for side nozzles
- Sound absorbing inlet covers
- Motor control panels with step-start feature

The
Dryer Pros

Spirit™ Outside Wall-Mount Vehicle Dryer

Specifications



Model 36-111 Spirit Dryer

Overall Height From Floor:	133-1/4"
Height to Top of Trim:	122-1/2"
Overall Width:	162"
Overall Length:	46"

Maximum Vehicle Clearance: 90" h x 102" w

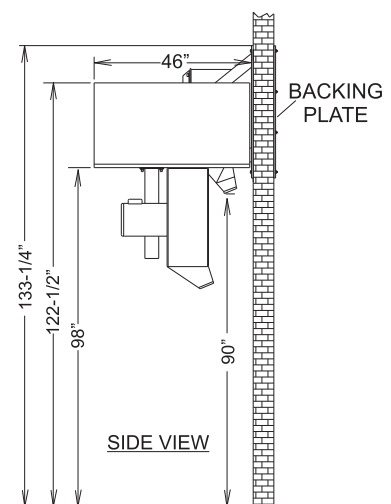
Approx. Net Weight:
With three 10 H.P. Motors 820 lbs.
Add approx. 33 lbs for each
15 H.P. Motor Upgrade

Air Flow:	
10 H.P. Blower Assy.	3,600 CFM
15 H.P. Blower Assy.	4,000 CFM

Air Velocity:	
10 H.P. Blower Assy.	162 MPH
15 H.P. Blower Assy.	182 MPH

Motor Load:	
10 H.P. Blower Assy.	23 amps @ 230/3/60 volts
15 H.P. Blower Assy.	34 amps @ 230/3/60 volts

NOTE: Motor starters and activation system required.



© 2009 The Dryer Pros LLC All rights reserved. The Dryer Pros reserves the right to make improvements on products, and change specifications and prices accordingly without notice.

